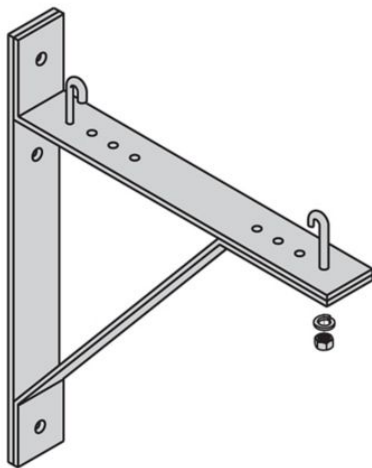


Eaton SB21318KTG

Catalog Number: SB21318KTG

Eaton B-Line series runway shelf bracket, Used to support cable runway from wall, 18" triangular runway wall support kit, ASTM A36 structural steel, Telco gray powder coat



General specifications

Product Name	Catalog Number
Eaton B-Line series runway shelf bracket	SB21318KTG
UPC	Product Length/Depth
799038018636	19.875 in
Product Height	Product Width
19.125 in	18 in
Product Weight	Certifications
8.8 lb	UL Listed

Product specifications

Type

Triangular runway wall support kit

Material details

Telco gray powder coat ASTM A36 steel

Application

Used to support cable runway from wall

Resources

Brochures

[Redi-Rail runway brochure](#)

Catalogs

[Cable runway and accessories section of datacomm catalog](#)

Specifications and datasheets

[Eaton Specification Sheet - SB21318KTG](#)



Eaton Corporation plc
Eaton House
30 Pembroke Road
Dublin 4, Ireland
Eaton.com

© 2023 Eaton. All Rights Reserved.

Eaton is a registered trademark.

All other trademarks are property of their respective owners.



[Eaton.com/socialmedia](https://www.eaton.com/socialmedia)